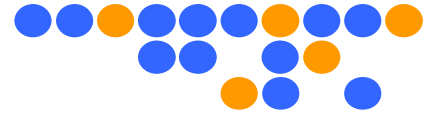


SMA Connector Data Sheet



■ Part No. : PAF-S05

(SMA End Launch Jack)

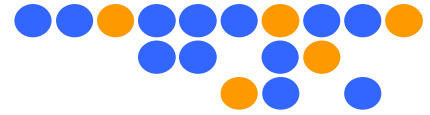


Technical Data

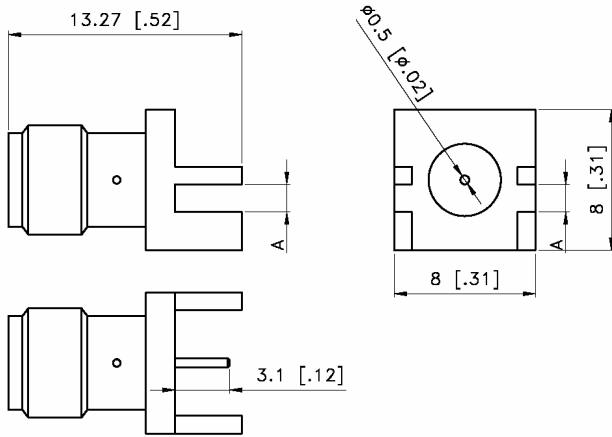
Electrical Data	Impedance	50 Ω
	Max. Frequency	6 GHz
	Insulation Resistance	Min. 5 gigaohms
Mechanical Data	Force to Engage/Disengage	2.0 pounds max.
	Durability	500 mating cycles
	Recommended Mating Torque	7 to 10 inch-pounds
Environmental Data	Operating Temp.	-40°C ~ 125°C
	Vibration	MIL-STD-202
	Shock	MIL-STD-202
	RoHS	Compliant

Material Data		Material	Surface Plating
	Center Contact	BeCu	Gold Plating on Nickel
	Body	Brass	Gold Plating on Nickel
	Insulator	PTFE	

SMA Connector Data Sheet



Outline Drawing



Unit : mm [inch]

Board Clearance

Part No.	DIM A
PAF-S05-0,6MM	0.60 [0,024]
PAF-S05-0,8MM	0.80 [0,031]
PAF-S05-1,0MM	1.00 [0,039]
PAF-S05-1,1MM	1.10 [0,043]
PAF-S05-1,2MM	1.20 [0,047]
PAF-S05-1,3MM	1.30 [0,051]
PAF-S05-1,5MM	1.50 [0,059]
PAF-S05-1,6MM	1.60 [0,063]
PAF-S05-1,73MM	1.73 [0,068]
PAF-S05-2,1MM	2.10 [0,083]
PAF-S05-2,25MM	2.25 [0,089]
PAF-S05-3,6MM	3.60 [0,142]